

CyberKey Station and Connection Cable



Part numbers:

CKB-002	120v, 60Hz Station
CKB-F02	220v, 50Hz Station
TWC-008	9-pin PC serial cable
TWC-001	25-pin PC serial cable

The CyberKey Station is one of two electronic interfaces that allow a computer and a key to exchange information. The other is the CyberKey Authorizer; please see the appropriate data sheet for information.

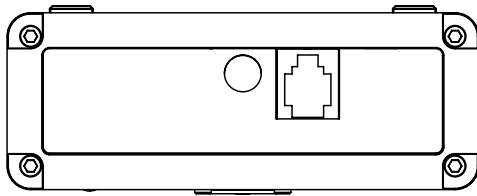
The CyberKey Station is finished in black metal and has a slot for a single key. Three separate lights indicate power, status, and communication. It ships with an external transformer to provide power. Videx offers transformers for two different input power requirements as indicated by the part numbers above.

Two different PC connection cables are available, a 9-pin and a 25-pin. Both cables use phone connectors (RJ-11) to connect to the base station. Most PCs accept the 9-pin serial cable. Some older PCs will need the 25-pin serial cable. A cable pin-out diagram is available from Videx technical support upon request.

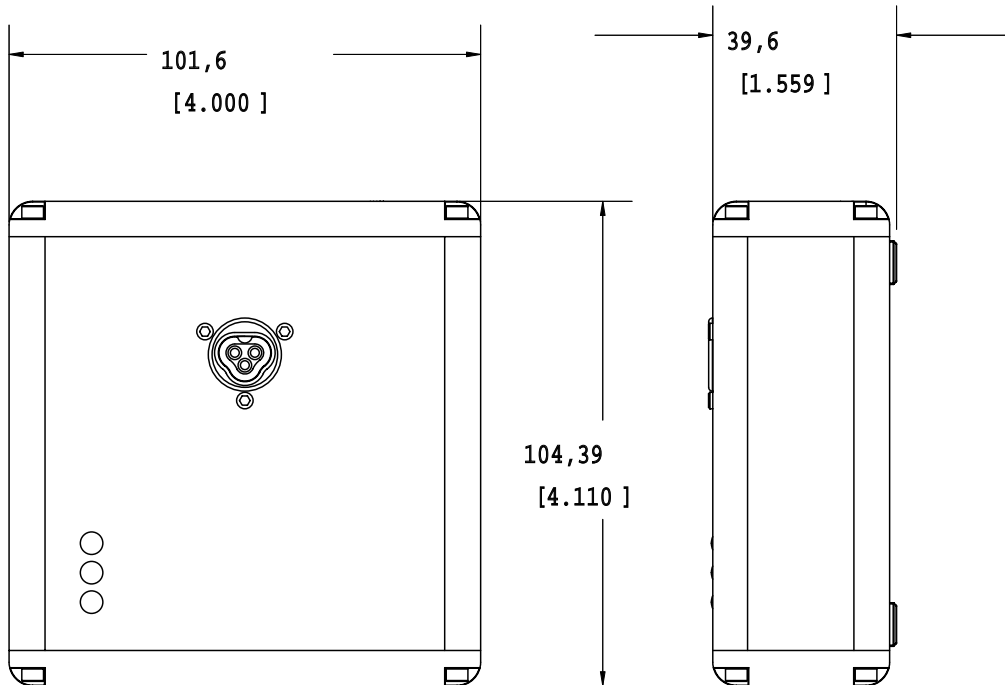
CyberKey Station and Connection Cable

Part numbers:

CKB-002	120v, 60Hz Station
CKB-F02	220v, 50Hz Station
TWC-008	9-pin PC serial cable
TWC-001	25-pin PC serial cable



Notes:
 Dimensions in mm (inches)
 Drawing not to scale



CyberKey Station Specifications

Finish	Black powder coated metal
Operating Temperature	32° to 122° F; 0° to 50° C
Communication Speed	9600 bps
Station Power Requirements	12 volts DC, 300 milliamps, center post positive
Transformer for CKB-002	In: 120VAC, 60Hz; Out: 12 volts DC, 300 milliamps
Transformer for CKB-F02	In: 220VAC, 50Hz; Out: 12 volts DC, 300 milliamps
Regulatory Compliance	FCC, CE