

CyberLock Programmer

Part number: CK-P3



The CyberLock Programmer is an electronic device that is used to program and download CyberLocks. The CK-P3 is made of a durable nylon-based plastic and has a replaceable brass tip. An indicator light shows battery power and activation. A speaker makes tones indicating communication and programming status. Although the Programmer resembles a key, it will not open a CyberLock.

The Programmer's memory contains an encrypted access code, a list of locks to program, and the programming instructions for those locks.

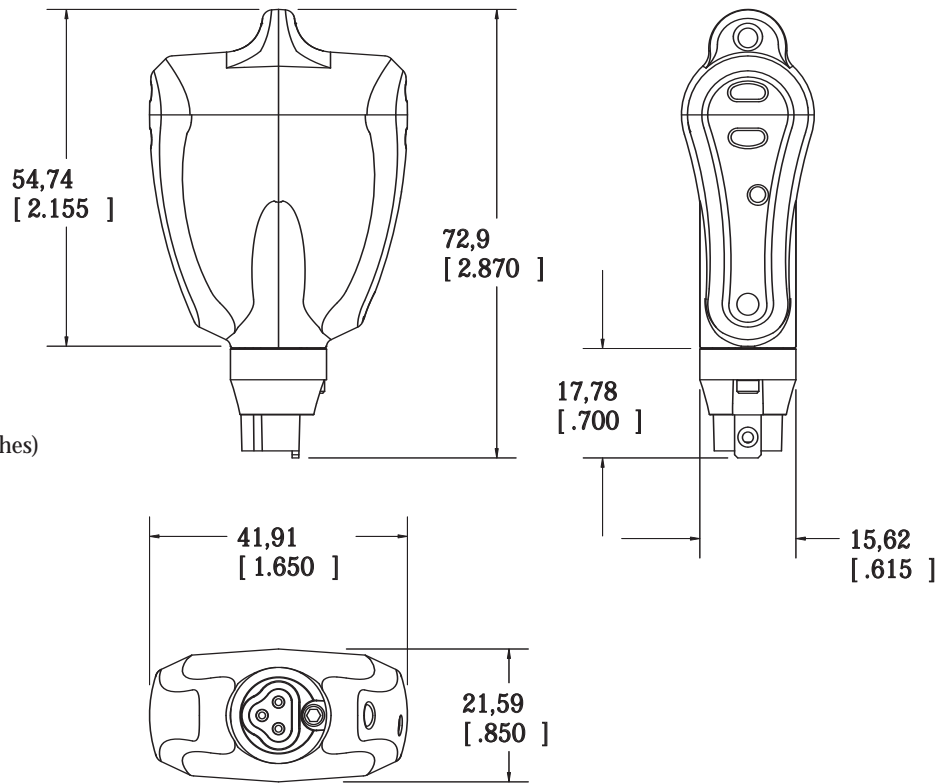
The CyberLock Programmer is also used to download the audit trail from a lock.

The CyberLock system is a key-centric access control system. This offers several advantages over traditional lock-centric access control systems:

- Since the key provides power to the lock, the lock does not require electricity or wiring.
- CyberLocks fit in standard lock hardware making for easy replacement.
- The same key may be used for all locks in an installation - everything from a padlock, cash box, and server cabinet.
- The key's audit trail can be used to track movement of personnel.
- Keys cannot be duplicated.

CyberLock Programmer

Part number: CK-P3



Notes:
Dimensions in mm (inches)
Drawing not to scale

Specifications

- Finish** • Brown plastic with a replaceable brass tip.
- Operating Temperature** • 32° to 122° F; 0° to 50° C.
- Operating Conditions** • Keep key dry. If exposed to water, remove battery and allow key to dry completely before use.
- Battery** • 1 CR-2 3V lithium battery.
- Number of Locks per Key** • Holds the configuration for up to 700 different locks after each database communication.
- Access Schedules** • Standard schedules are not applicable. A Programmer will not open a lock.
- Audit Capacities** • A Programmer can store up to 3900 total events with date and time.
• A Programmer can store the entire audit trail of one CyberLock at a time; up to 1100 events.
- Electronic Security Features** • A Programmer will not communicate with a lock unless instructed to do so by the database.
• When all locks have been updated, a Programmer is released for use with another database.
• A Programmer retains its audit trail and lock configuration if the power is interrupted.
• A CyberLock will reject any configuration older than its current one.
- Electronic Rekeying** • Rekeying a system is done via the software; no need to install new locks and issue new keys.