



## CyberPoint®

Part number: CP-02

The CyberPoint is an electronic tag designed to serve as a data checkpoint during security tours. It is an extension of the CyberLock system using the same keys, software, and base station.

CyberPoints are pre-programmed from Videx. An initial configuration process in CyberAudit is not required. Any current CyberKey that is part of a CyberAudit 2.0 database can be used with any CyberPoint.

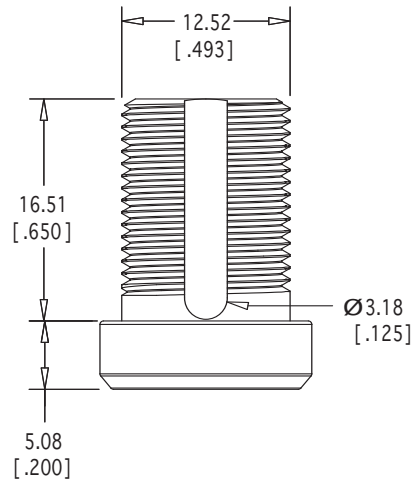
When a key touches a CyberPoint, it will beep 3 times. Both the key and the CyberPoint will record a "CyberPoint Contact" event along with the date and time.

The key's audit trail is downloaded each time it contacts a base station or Authorizer keyport. Using the same key for access control with a short expiration cycle will encourage regular downloading.

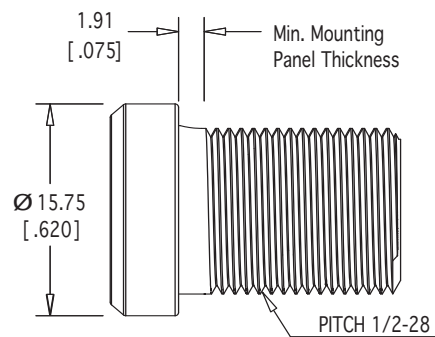
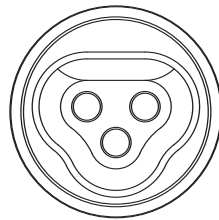
The CyberAudit software includes a customizable report generator and automatic email notification for keeping track of CyberPoints, CyberLocks, and CyberKeys. Reports can be printed or exported as a text or spreadsheet document.

# CyberPoint

Part number: CP-02



Notes:  
 Dimensions in metric (inches)  
 Drawing not to scale  
 Ø indicates diameter  
 The 1/2-28 panel nut is not shown



## Specifications

- Finish**
  - Nickel plating
- Operating Temperature**
  - -40° to 160° F; -40° to 70° C
- Power Requirements**
  - None; power is supplied by the key's battery.
- Mounting Options**
  - Attach the CyberPoint to a panel using the included nut.
  - Epoxy a threaded insert into a hole and screw the CyberPoint into the insert.
  - Permanently epoxy the CyberPoint into a pre-drilled hole.
- Hardware Features**
  - Resists electric charge applied to the face of the CyberPoint.
- Compatible CyberKeys**
  - CK-U4 and CK-U5
- Number of Keys per CyberPoint**
  - No limit to the number of keys that the CyberPoint can support.
- Number of CyberPoints per Key**
  - Programmed CyberKeys will read and write to any CyberPoint.
- Number of CyberLocks per Key**
  - Up to 3300 locks can be accessed with a standard user key.
  - A Master key has no limit to the number of locks it can access.
  - A database has no limit to the number of CyberPoints, locks, or keys it can manage.
- Access Schedule**
  - Not applicable for CyberPoints. A key can record any CyberPoint at any time.
  - For CyberLocks, schedules programmed into the CyberKey provide complete control over specific days and times that a key will operate. A key can use up to 49 different schedules to access locks.
- Audit Capacities**
  - The CyberPoint remembers the last 1100 contacts with date and time.
  - A key remembers up to 3900 events with date and time. It can be set to keep only the most recent set of events or to stop operating when its audit trail is full.