

## Control Key for Interchangeable Core Cylinders

Part number: CK-C1



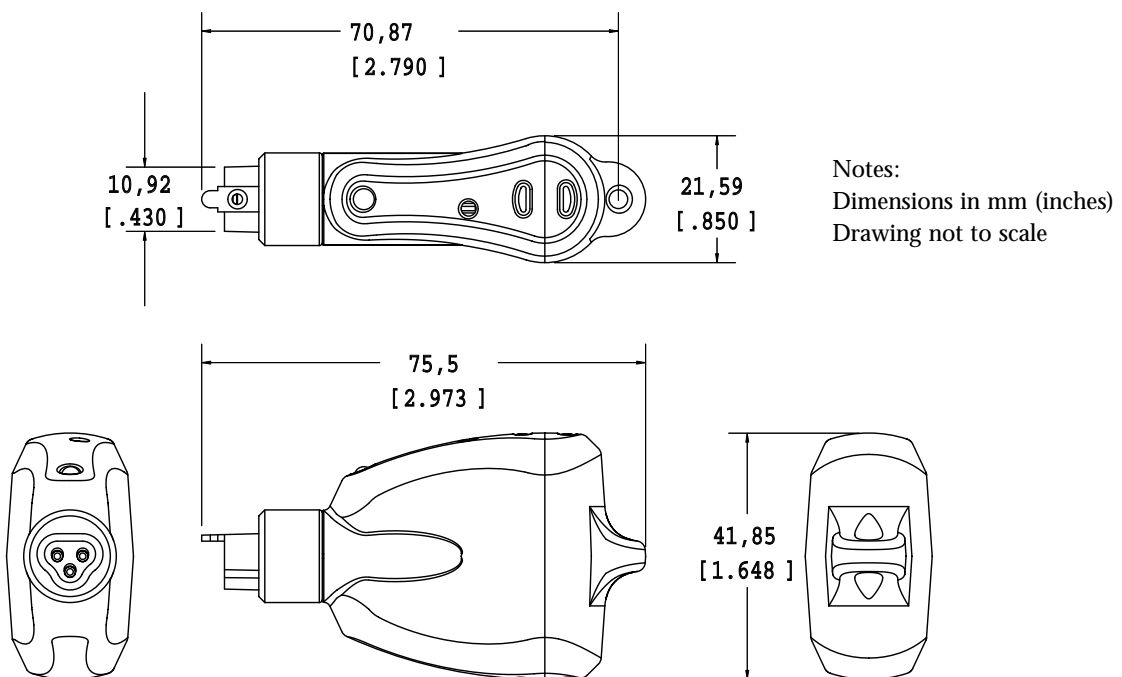
The CyberLock control key is used to install or remove a CyberLock interchangeable core. Videx currently offers two interchangeable core CyberLocks:

- Small format Interchangeable core (CL-SFIC)
- Large format Interchangeable core (CL-LF01)

The CyberLock control key has all the intelligence and security of a regular CyberKey. A mechanical control key always presents a security risk as long as it exists. A CyberLock control key that is set to expire immediately after the installation does not compromise security.

A CyberLock control key can:

- have distinct start and end times, limiting the time that it is active.
- keep a record of exactly who installed or removed the cylinder and the specific date and time this was done.
- be used with more than one CyberLock system, provided it is removed from a database and updated after use.



# Control Key for Interchangeable Core Cylinders

Part number: CK-C1

## Specifications

- Finish** • Black nylon-based plastic with a nickel-plated steel tip.
- Operating Temperature** • 32° to 122° F; 0° to 50° C
- Battery** • 1 CR-2 3v lithium battery
- Battery Life** • 2000 to 5000 installations, depending on settings and battery.
- Number of Locks** • Up to 1250 locks can be accessed with a standard control key.  
A Master key has no limit to the number of locks it can access.
- Audit Capacity** • The key remembers up to the last 1150 events with date and time.
- Access Schedule** • Individual schedule programmed into the CyberKey provides complete control over specific days, times during selected days, a holidays exception list, and a begin/end date range during which the key will work.